

# **SPEAKMAN COMPANY**

## **SE-900 Installation, Maintenance & Operation Instructions**

### **DESCRIPTION**

Self-closing valve for emergency showers.

### **SPECIFICATIONS**

VALVE: 1" NPT Female Brass, Chrome-Plated. Self-Closing

INLET: 1" NPT Female.

OUTLET: 1-1/2" NPTM.

SHIPPING WEIGHT: 4 lb.

#### **SE-900-CR**

SE-900 With 8" S/S Ring on 32" #3 S/S Chain.

SHIPPING WEIGHT: 3 lb.

### **INSTALLATION**

Assemble valve to a horizontal or vertical water supply that has an uninterrupted source of potable water. Use pipe sealant on all joints. Failure to use potable water can result in emergency units producing impure or contaminated water causing possible further injury.

### **OPERATION**

This valve in most cases, is activated by pulling downward on an 8" dia. stainless steel ring (SE-900-CR) or nylon rope. Once the valve is activated, continuous pressure on the ring or rope is required for a constant flow of water. Valve will automatically shut off when ring or rope is released.

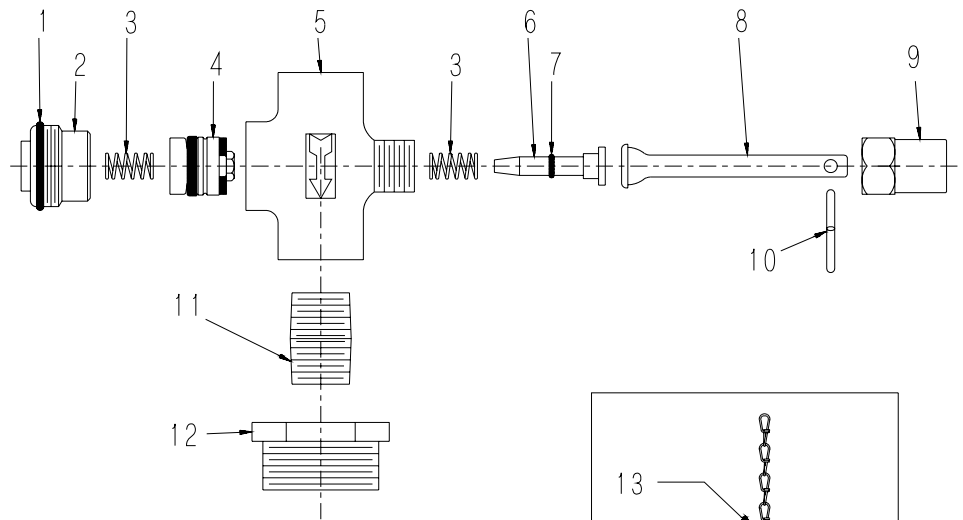
### **TESTING PROGRAM**

The American National Standards Institute (ANSI) states that all safety emergency equipment shall be activated on a weekly basis to flush the line and verify proper operation. Speakman Company furnishes a testing record tag (91-0635) with each unit. On this tag the date of inspection and the inspectors initials should be noted.

**MAINTENANCE**

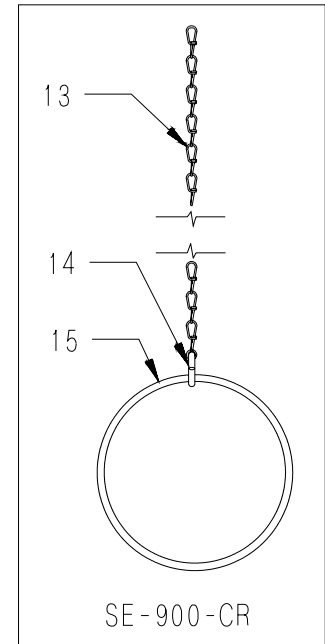
Should you need parts to repair this unit, please reference the parts listing below for correct part numbers. Before any maintenance is done *be sure to shut the water supply off.*

**WARNING:** Use only genuine Speakman parts when repairing or replacing components. To order parts call 1-800-537-2107.



**SE-900**  
**REPLACEMENT/REPAIR PARTS**

<u>ITEM</u>	<u>PART/GROUP #</u>	<u>DESCRIPTION</u>
<i>SE-900:</i>		
1	49-0131	#126 O-Ring
2	01-0522-RCP	Cap Nut
3	37-0038-MO	(2) Piston Spring
4	RPG05-0205	Piston Assy.
5	20-0457-RNP-P	Self-Closing Valve Body
6	G05-0363	Plunger Assy.
7	49-0075	#10 O-Ring
8	04-0425-RCP-P	Safety Handle for Self-Closing Valve
9	01-0677-RCP	Nut for Self-Closing Valve
10	35-0029	S-Hook
11	31-0293-RCP-P	1" NPT Close Nipple
12	05-0793-RCP-P	1-1/2" x 1" Bushing
<i>SE-900-CR:</i>		
13	05-1332-RNP	32" #3 S/S Chain
14	35-0029	S-Hook
15	22-0039-SS	8" Dia. S/S Ring



**FLOW DATA**

VALVE:

FLOW PRESSURE PSI (BAR)	5 (.34)	10 (.69)	15 (1.03)	25 (1.72)	35 (2.41)
FLOW RATE GPM (LPM)	22 (84)	31 (118)	38 (144)	49 (186)	58 (220)

NOTE: This unit should be connected to an uninterrupted source of potable water, with a minimum flowing pressure of 20 PSI and a maximum static pressure of 80 PSI.

Note: All units meet existing ANSI Z358.1 2004 Standards and OSHA Rules. Product improvements may cause specification and dimensional changes without notice.

**SPEAKMAN®**

PO Box 191 Wilmington, DE 19899 Phone: 800-537-2107 Fax: 800-977-2747  
Visit us on the web at [www.speakmancompany.com](http://www.speakmancompany.com)